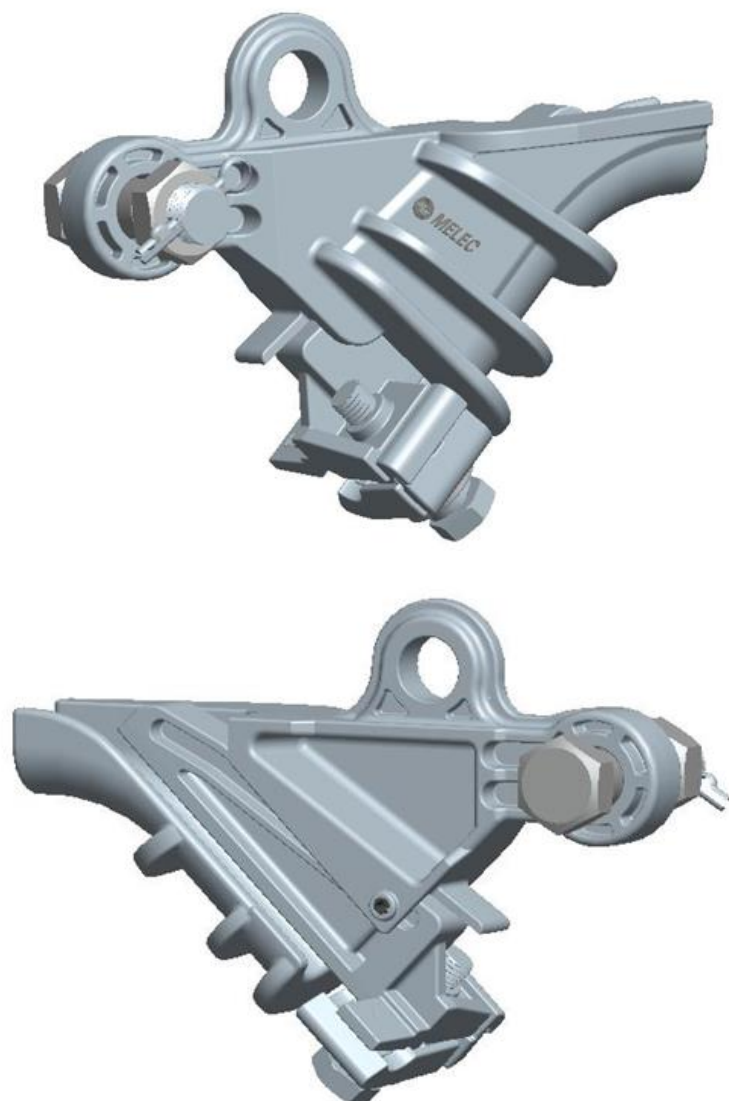


TENSION CLAMP

NXL

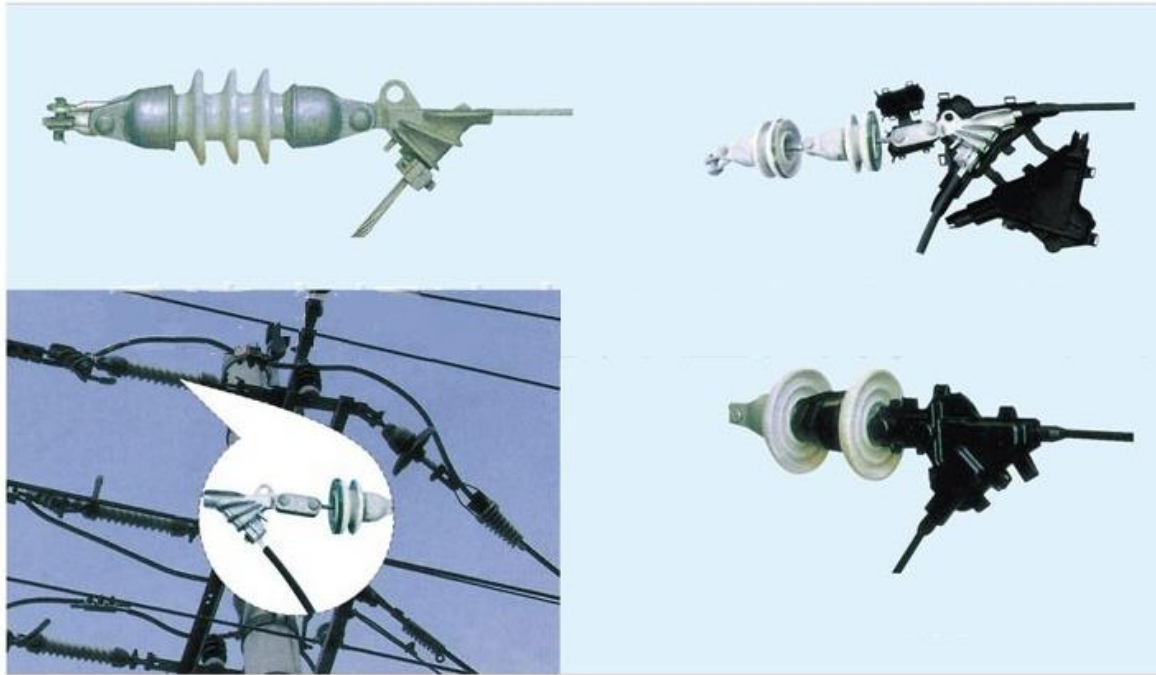


Test Standard: DL/T 765.1

Make Cable Connections More Reliable

NXL APPLICATION

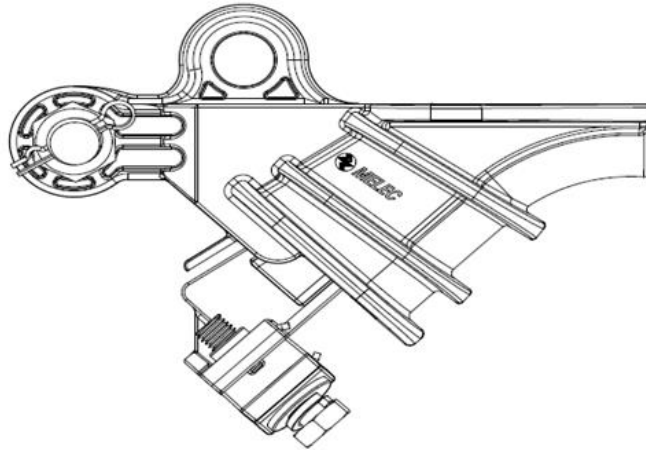
NXL tension clamp is applicable for overhead lines up to 10kV. It can tighten and fix aluminum cable at the corner or on strain pole. Stripping of cable insulation is required before insertion. Insulation sheath can be used together for insulation protection.



KEY FEATURES

- Made of aluminium alloy material with high mechanical strength.
- Wedges design with self-locking for easy installation.
- Insulation sheath provides superior waterproof.

TYPE SELECTION



Type	Conductor Size (mm ²)	Strip Length (mm)	Holding Force (kN)	Failure Load (kN)	Pack (pcs)
NXL35-50	35-50	225	3.4 /4.6	7.5	28
NXL70-95	70-95	245	6.8 /9.0	14.5	28
NXL120-150	120-150	255	11.3 /13.7	22.1	24
NXL185-240	185-240	300	17.4 /22.6	36.4	20