

JHL | SCREEN WIRE LUG

Application:

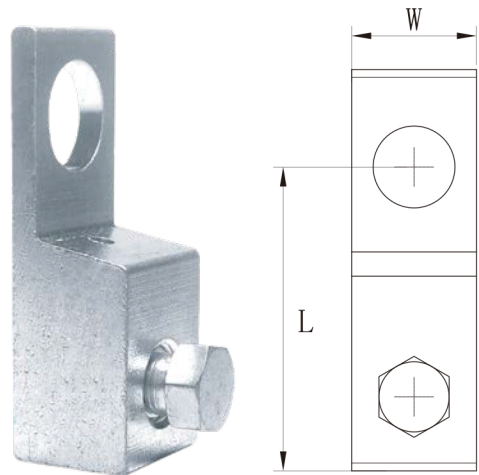
Used for earthing of cable screen and armour in medium voltage.

Material:

Body and bolt: brass

Surface:

Tin plated



Type	CU in mm ²	Dimensions		Number Of Bolts	Shear-off Torque (N.m)	Wrench Size	Pack (pcs)
		L(mm)	W(mm)				
JHL10-50-10/1	10-50	39	16	1	10	10	75x4
JHL10-50-12/1	10-50	41	19	1	10	10	75x4

Note: Shear-off torque is only a reference during installation.