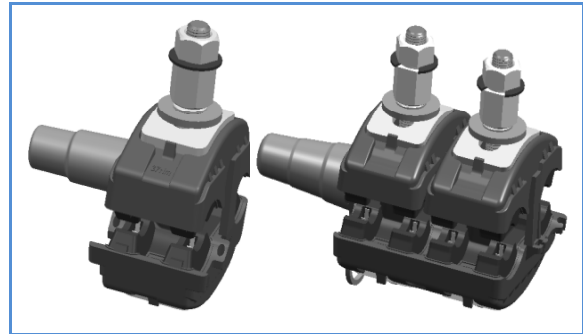


JBC-10 , INSULATION PIERCING CONNECTOR

The JBC-10 insulation piercing connectors are applicable for the branch connection and jointing of 10kV overhead insulated conductor. Installation of JBC-10 can be easily done by tightening the bolts to force the teeth penetrate the insulation of main line and tap line simultaneously. Stripping of insulation is avoided for both lines.

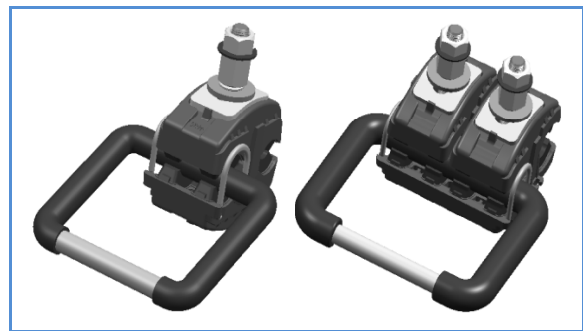


- Used for parallel grooved connection or branch connection
- Main line : insulated aluminium cable
- Tap line : insulated aluminium cable
- Body is moulded from tough and weather resistant materials
- Special designed shear head bolt allows efficient installation under controlled shear torque which ensure the contact teeth properly penetrate the conductor without damaging the mechanical strength of the conductor
- Tested for dielectrical voltage of 18kV for 1 minute under water
- Seals and grease are applied to prevent moisture entering the cable and connector which guarantees excellent waterproof and corrosion resistant performance
- End cap is attached to the body. No loose parts could fall to ground during installation
- Standard: DL/T 1190-2012

| TYPE | Main Conductor Size(mm ²) | Tap Conductor Size(mm ²) | Bolts | Box (pcs) | Pack (pcs) |
|------------------------|---------------------------------------|--------------------------------------|-------|-----------|------------|
| JBC-10-95-240/25-95 | 95-240 | 25-95 | 1 | 8 | 32 |
| JBC-10-95-240/95-240/2 | 95-240 | 95-240 | 2 | 4 | 16 |
| JBC-10-35-120/35-120 | 35-120 | 35-120 | 1 | 8 | 32 |

JBCF-10 , INSULATION PIERCING GROUNDING CONNECTOR

The JBCF-10 insulation piercing grounding connectors are applicable for 10kV overhead insulated conductor grounding protection and temporary electrical inspection



- Main line : insulated aluminium cable
- Body is moulded from tough and weather resistant materials
- Special designed shear head bolt allows efficient installation under controlled shear torque which ensure the contact teeth properly penetrate the conductor without damaging the mechanical strength of the conductor
- Seals and grease are applied to prevent moisture entering the cable and connector which guarantees excellent waterproof and corrosion resistant performance
- No loose parts could fall to ground during installation
- Standard: DL/T 1190-2012

| TYPE | Main Conductor Size(mm ²) | Bolts | Box (pcs) | Pack (pcs) |
|----------------|---------------------------------------|-------|-----------|------------|
| JBCF-10-25-95 | 25-95 | 1 | 4 | 16 |
| JBCF-10-95-240 | 95-240 | 2 | 3 | 12 |